

KITH220

IP68

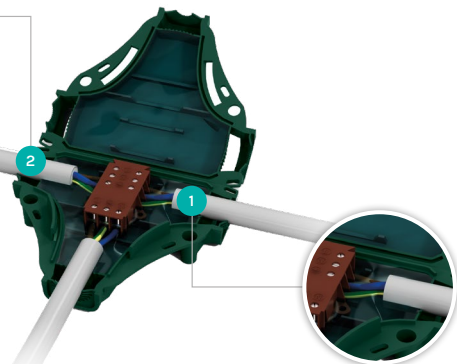
GEL-INSULATED JOINT AND JUNCTION SOLUTIONS

Linear and "T" versions with terminal blocks.

“T” version - THG.220.T0B



+ INCLUDED
THB.029.A1A



- 1 Pre-filled with gel:
no filler to pour in.
- 2 Flexible cable housing
provides protection
from dust and water
(IP68).
- 3 Closing system
without screws or
clamps usage.

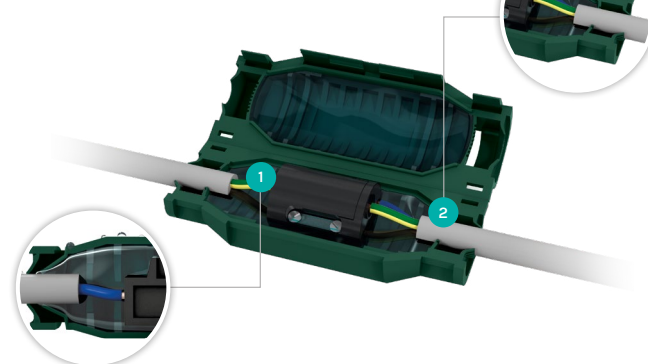
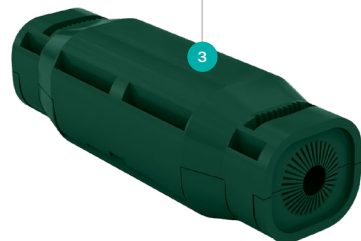
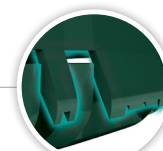
TECHNICAL DATA

- Cable Cross Section:
Main Cable: 1.5 - 4 mm²
Branch Cable: 1 - 2.5 mm²
- Cable Diameter:
Main Cable: 10 - 13 mm
Branch Cable: 6 - 8 mm
- Voltage Rating:
450 V
- Current Rating:
24 A
- IP rating:
IP68

Linear version - THG.220.L0A



+ INCLUDED
THB.020.A1A



- 1 Pre-filled with gel:
no filler to pour in.
- 2 Inclined and curved
bulkheads allows
faster and more reliable
installation.
- 3 Closing system
without screws or
clamps usage.

TECHNICAL DATA

- Cable Cross Section:
0.75 - 2.5 mm²
- Cable Diameter:
6 - 8 mm
- Voltage Rating:
450 V
- Current Rating:
24 A
- IP rating:
IP68

Fast and intuitive for countless solutions



ARCHITECTURAL AND CIVIL APPLICATIONS:

- LED lighting
- Video-surveillance systems
- False ceilings or outdoors linear connections (replacing junction boxes)
- Building construction sites



CITIES AND URBAN PARKS:

- LED lighting systems
- Video-surveillance systems
- Civil automation (barriers, gates)
- Road signs
- Ground lighting in manholes





Discover more about
KITH220

Techno s.r.l.

Via Bancora e Rimoldi, 27 | 22070 Guanzate (CO), Italy

T. +39 031 976445 | customerservice@techno.it

www.techno.it



Management
System
ISO 9001:2015
ISO 14001:2015
ISO 45001:2018

www.tuv.com
ID 9105061951

