

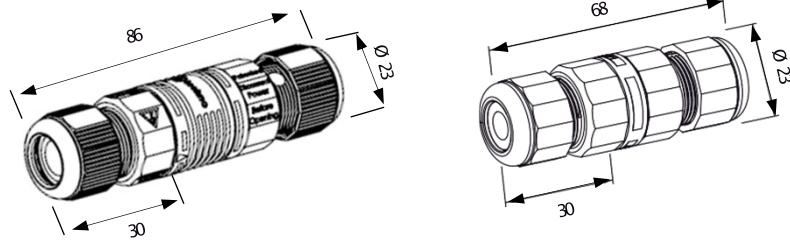
mini  
**TEETUBE**

**TH391**

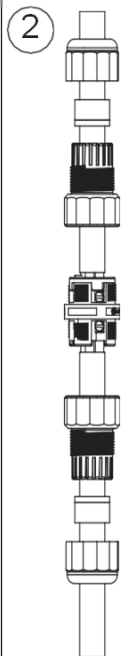
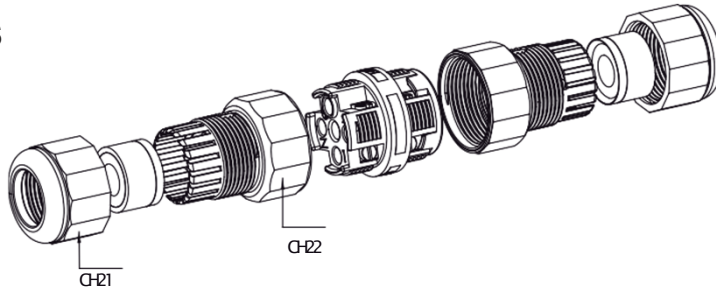
**IP68 5bar**

**CE**

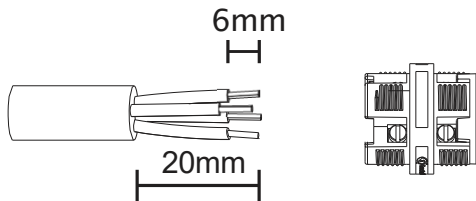
**MADE IN ITALY**



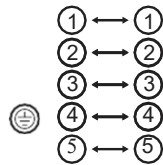
**THx.391.Axx**  
**2-3-4-5 POLES**



**Versione a vite standard**  
*Screw terminals*  
THB.391.Axx : 0.5 – 4.0 mm<sup>2</sup>  
THB.391.A5x : 0.25 – 1.5 mm<sup>2</sup>

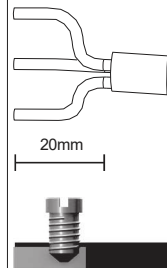


**2-3-4-5 POLES**



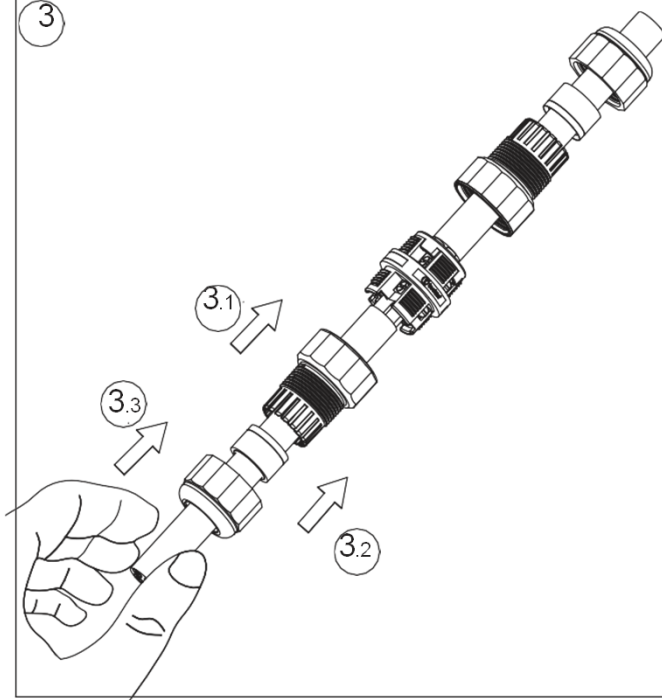
**2.1**

**Versione perforazione isolante**  
*Piercing terminals version*  
THP.391.Axx : 0.5 – 1.5 mm<sup>2</sup>  
**Solo versioni 2-3-4 poli**  
**Only versions 2-3-4 poles**

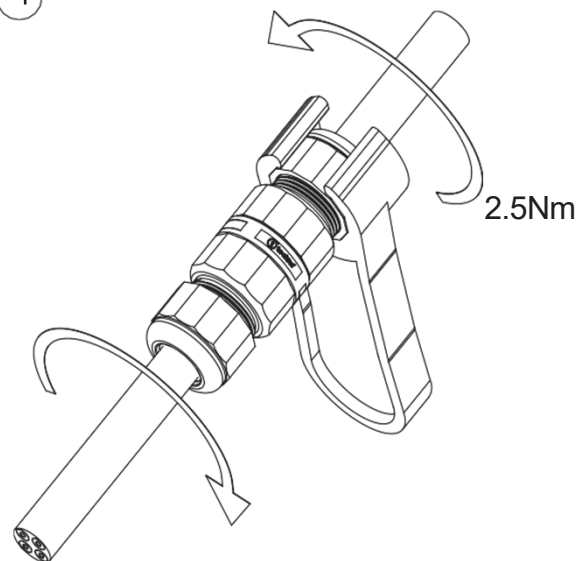


No sguainatura  
No unsheathing

**3**



**4**



**Chiave speciale di fissaggio rapido**  
*Quick-fixing special tool*